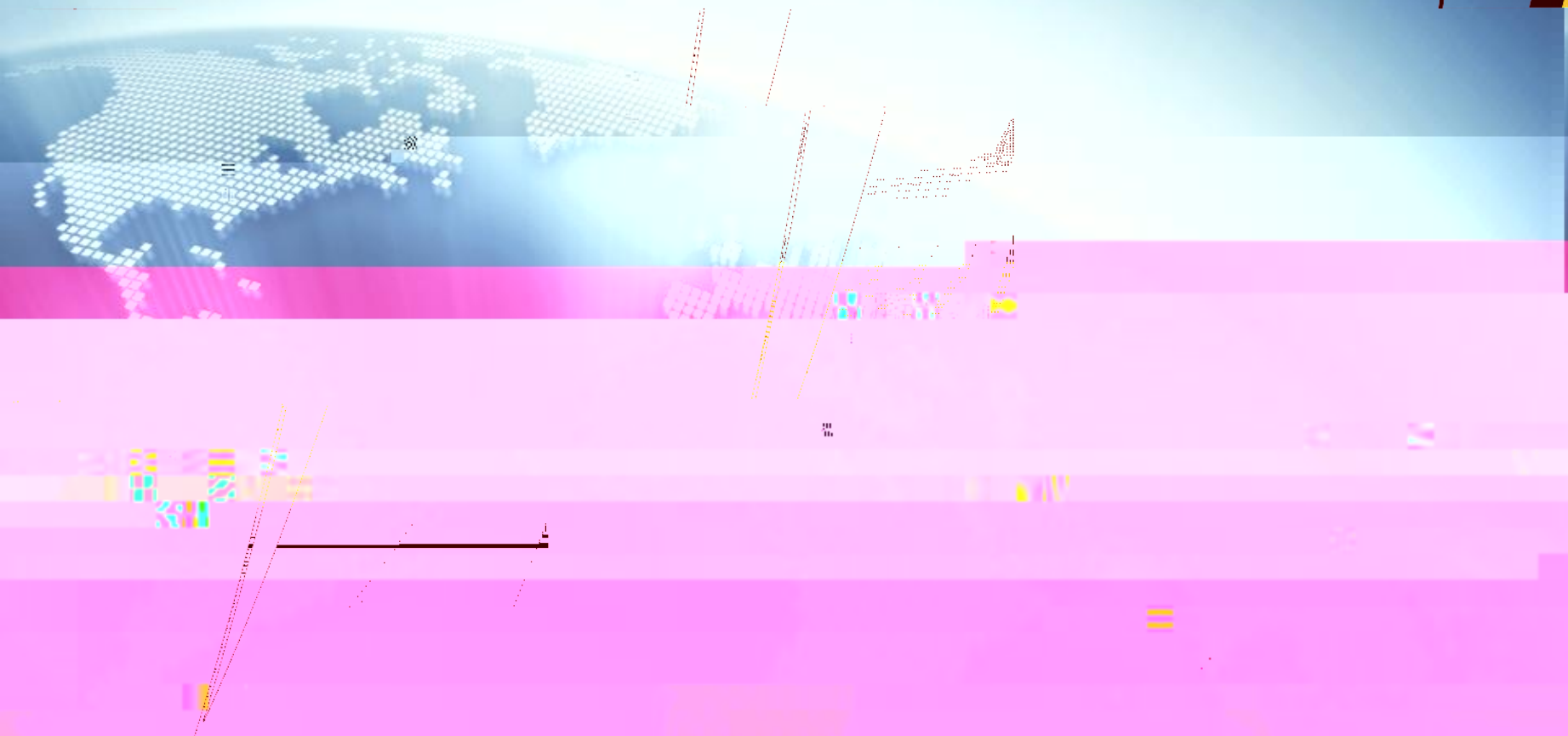
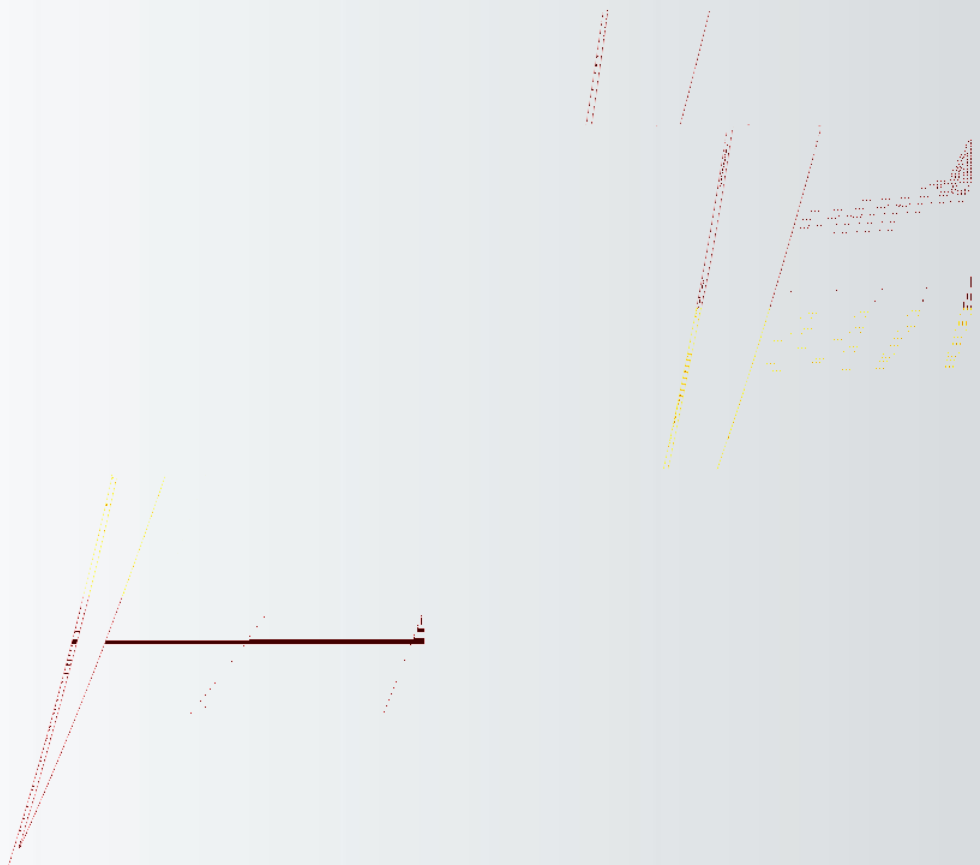


# ISG



# Contents



I

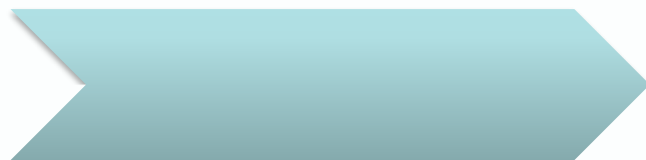
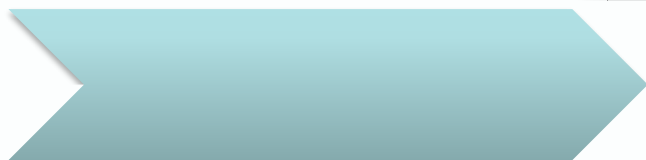


15 ~30

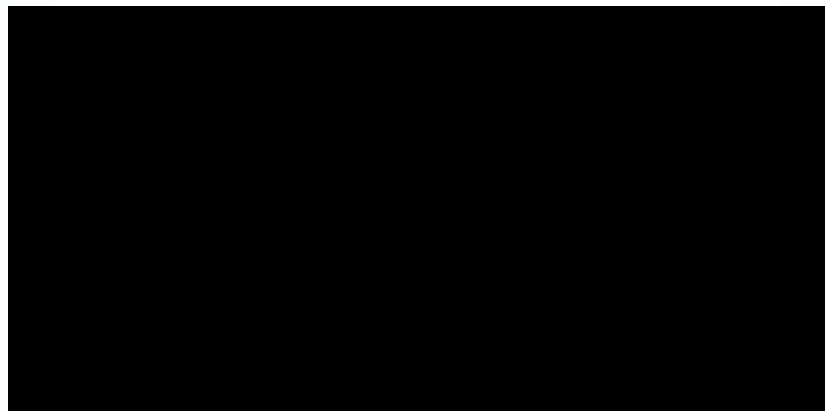
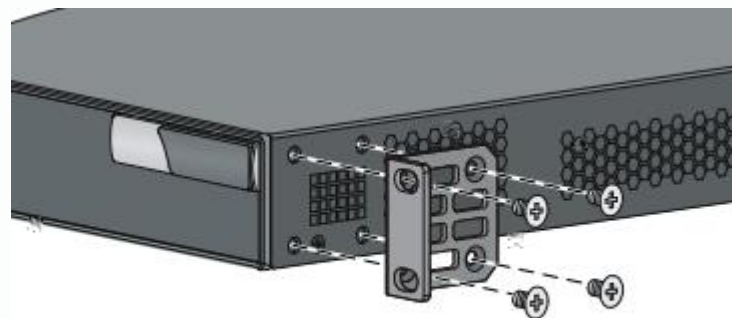
40%~65%

$1.3 \times 10^5$  (

I



19



I

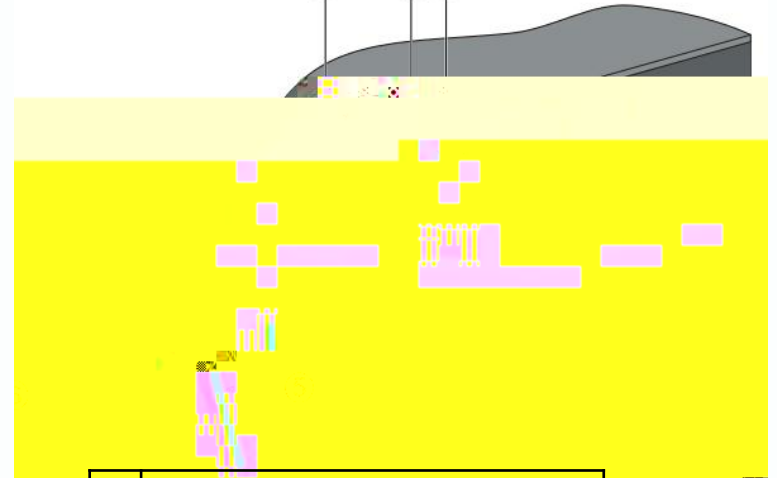


10cm

I



① ② ③



OT

OT

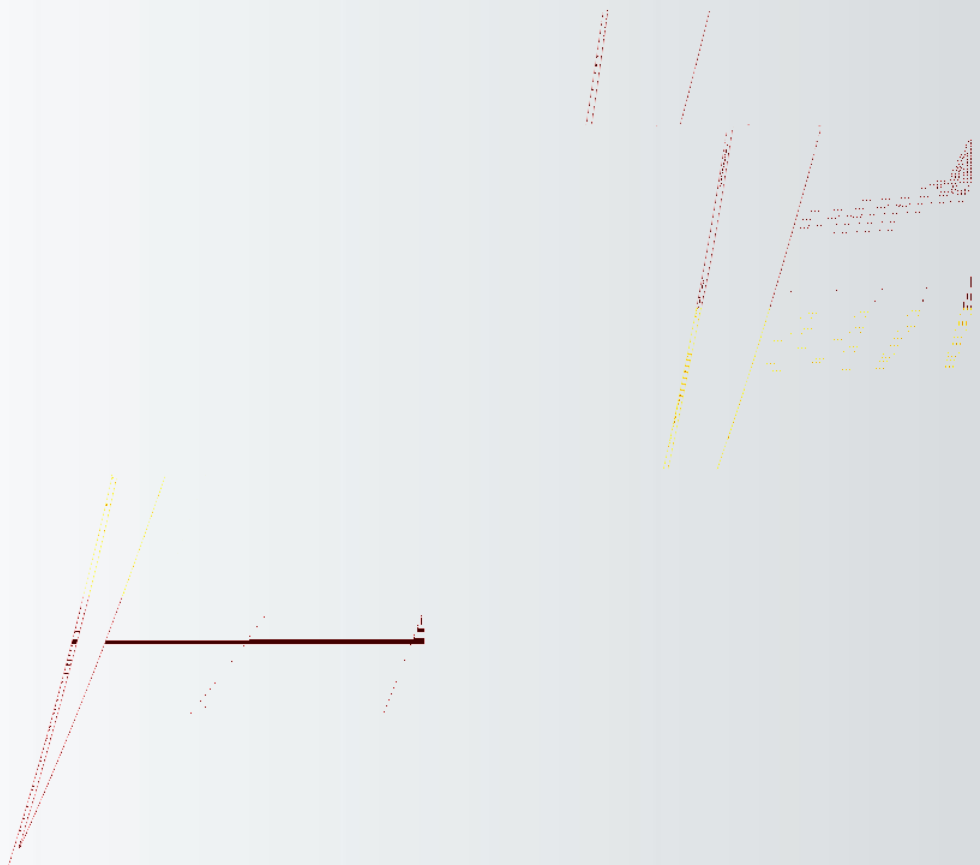
PE

PE

1	
2	



100-240V~/50-60Hz



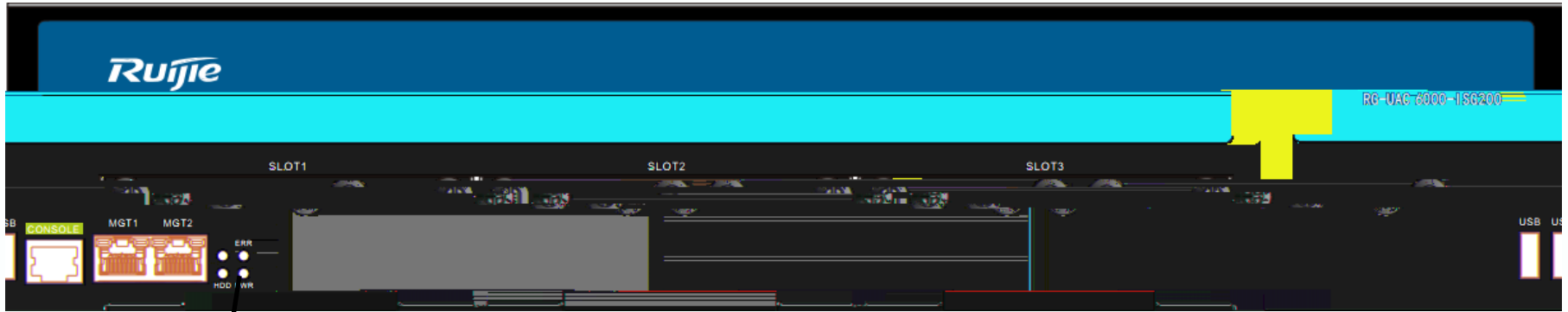


## Web

pc	<b>MGT1</b>	pc	ip	192.168.1.2
192.168.1.200	192.168.1.0/24			
ie	<b>https://192.168.1.200</b>			
<b>admin</b>	<b>firewall</b>			
	LAN1/MGT1	ip	192.168.1.200	
admin/firewall				

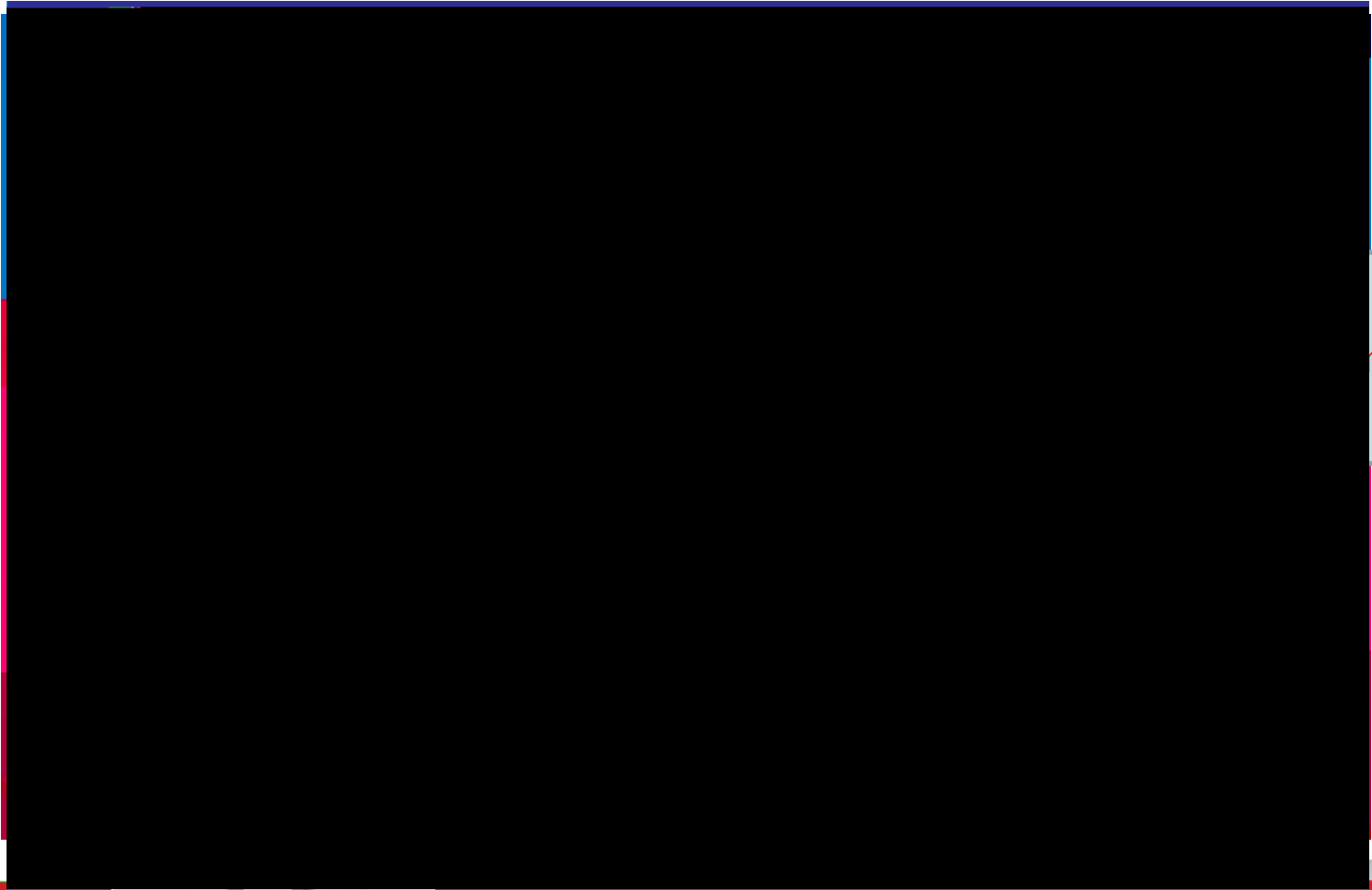


# Web





## Web



min  
II

I



ip

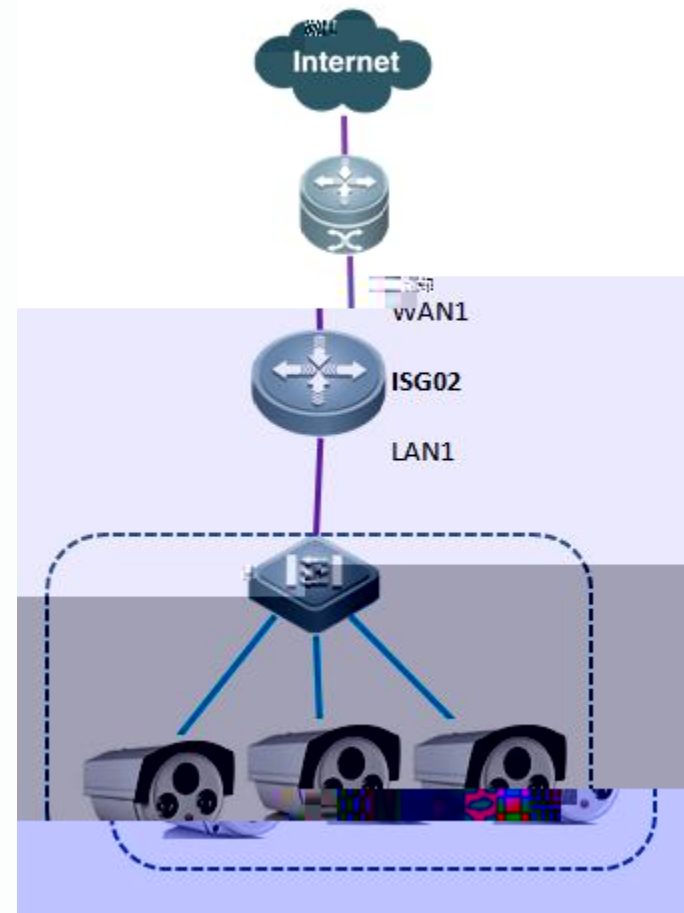
ISG02

LAN1

WAN1

IP

ip :  
172.16.162.0/24





1

IP

IP

IP

<https://192.168.1.200> ,

admin

121110

2

The screenshot shows a web-based configuration interface for adding a binding policy. On the left is a dark blue sidebar with navigation icons and labels: 首页 (Home), 网络配置 (Network Configuration), 协议转换 (Protocol Conversion), 终端状态 (Terminal Status), and 终端管理 (Terminal Management). The main content area is titled "新增绑定策略" (Add Binding Policy) and includes a "确定" (Confirm) button and a "返回" (Return) button. The form contains the following fields:

- 名称** (Name): A text input field.
- IP地址** (IP Address): A dropdown menu currently showing "IP地址" and a text input field below it containing "全部" (All).
- 所属分组** (Group): A dropdown menu showing "Root" with a "选择" (Select) button.
- 终端类型** (Terminal Type): A dropdown menu showing "视频终端" (Video Terminal).
- 策略** (Policy): A list with items "阻断策略" (Block Policy) and "终端白名单" (Terminal Whitelist).
- 状态** (Status): Radio buttons for "启用" (Enabled) and "禁用" (Disabled).
- 快速链接** (Quick Link): A text input field containing "IP地址".
- 准入策略** (Access Policy): A green button labeled "准入策略" (Access Policy).

/IOS

/

/Linux

/windows



Navigation menu: 首页, 网络配置, 协议转换

### 自动升级

应用特征库

- 启用自动升级  
当前版本: AIS-1.0.0.30-20180622  
升级时间: 2018-06-30 03:10:53
- 启用自动升级  
当前版本: IPS-1.5.2.0-20180327  
升级时间: 2018-03-28 01:10:10
- 启用自动升级  
当前版本: WAF-1.2.0.0-20180630  
升级时间: 2018-06-30 04:44:44
- 启用自动升级  
当前版本: AV-1.4.4.74-109750  
升级时间: 2018-06-29 16:22:50

终端管理

IPS特征库

WAF特征库

基本防护

高级防护

系统对象

系统配置

服务器

121.201.32.146

系统维护

系统升级

立即升级 回滚

升级延迟: 不延迟

确定

# ISG02

LAN1

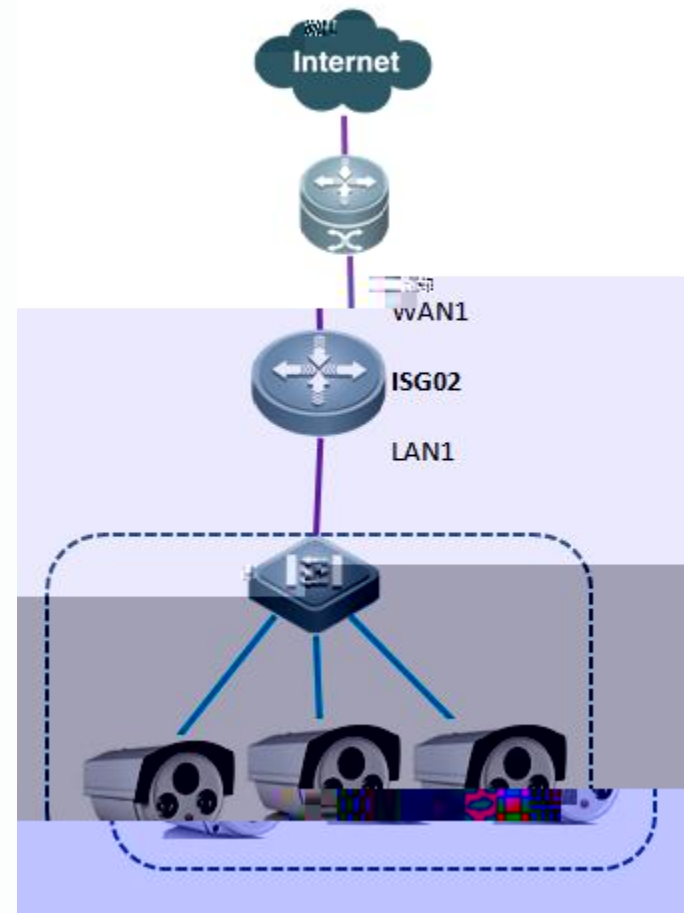
WAN1

IP

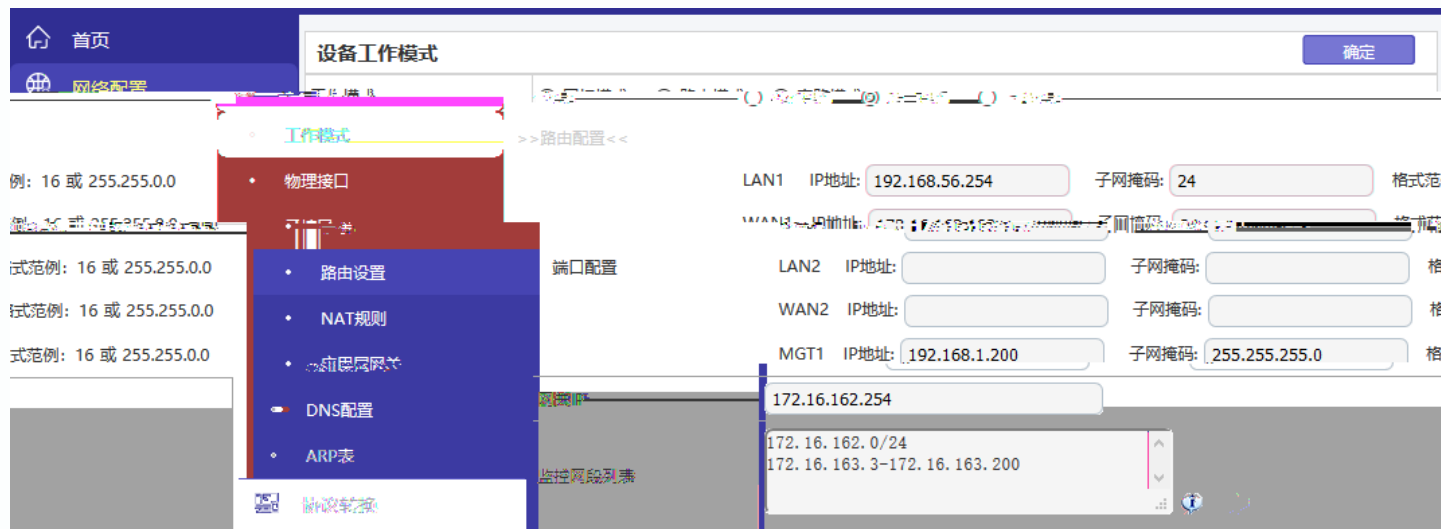
WAN

WAN ip :  
172.16.162.0/24

LAN ip :  
192.168.56.0/24



1



IP

NAT

ISG

WAN

IP

## 2 NAT

->NAT ->

The screenshot shows a web-based configuration interface for NAT rules. The main title is "新增地址转换规则" (Add New Address Conversion Rule). The interface includes a sidebar with navigation options: "首页" (Home), "网络配置" (Network Configuration), "工作模式" (Work Mode), and "物理接口" (Physical Interface). The main content area is divided into several sections:

- Form Fields:** "名称" (Name) is set to "源地址转换" (Source Address Conversion). There is a "描述" (Description) field.
- Source Group:** "源分组" (Source Group) is set to "内网" (Intranet).
- Destination Group/Interface:** "目的分组/接口" (Destination Group/Interface) is set to "全部" (All).
- Destination IP:** "目的IP" (Destination IP) is set to "全部" (All).
- Group Selection:** "分组" (Group) is set to "外网" (Outernet).
- Interface Selection:** "接口" (Interface) is set to "MGT1".
- IP Address Selection:** "IP地址" (IP Address) is set to "全部" (All).
- Advanced Settings:** A dropdown menu is open, showing options: "NAT规则" (NAT Rule), "应用层网关" (Application Layer Gateway), "DNS配置" (DNS Configuration), "ARP表" (ARP Table), "协议转换" (Protocol Conversion), and "终端状态" (Terminal Status).
- Status:** "状态" (Status) is set to "启用" (Enabled).

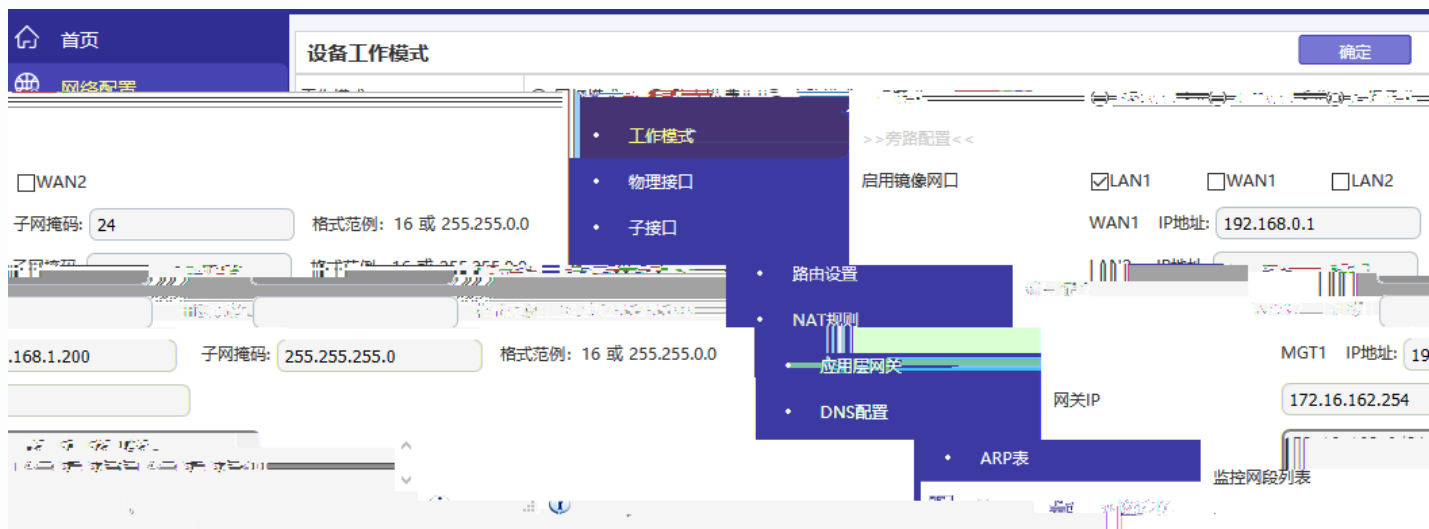
At the bottom of the interface, there are tabs for "风险评估" (Risk Assessment), "基本防护" (Basic Protection), and "高级防护" (Advanced Protection). The "基本防护" tab is currently selected.

1

Ruġo

INIZIATIVA PERMANENTE [www.rugby.com](http://www.rugby.com)

1



LAN1                      WAN1      IP/                      IP

WEB                      +                      WAN1

IPS

- - " "

升级失败自动升级服务器没有新版本!

确定

DNS

[www.ruijie.com.cn](http://www.ruijie.com.cn)

[www.ruijie.com.cn/service.aspx](http://www.ruijie.com.cn/service.aspx)

[bbs.ruijie.com.cn](http://bbs.ruijie.com.cn)

[webchat.ruijie.com.cn](http://webchat.ruijie.com.cn)

4008-111-000